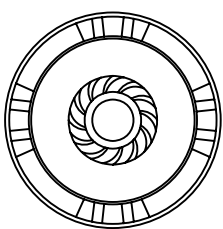
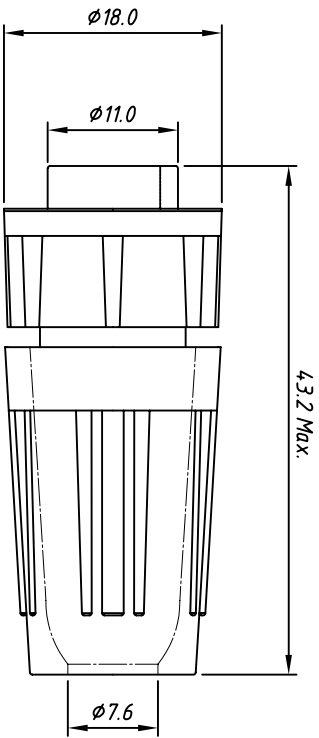


Front view



Back view

Order information

L-KLS15-249-XX F1

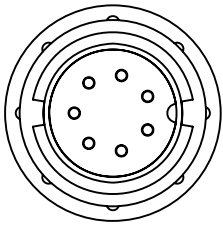
L: RoHS
 XX: Number of Contacts
 F1: Female Type, Quick Lock

No.	Solder inter diamte	Contacts resistance Max.
2	Ø1.6mm	6 mΩ
3	Ø1.6mm	6 mΩ
4	Ø1.0mm	3 mΩ
5	Ø1.0mm	3 mΩ
6	Ø1.0mm	3 mΩ
7	Ø1.0mm	3 mΩ
8	Ø1.0mm	3 mΩ
10	Ø1.0mm	3 mΩ
12	Ø1.0mm	3 mΩ

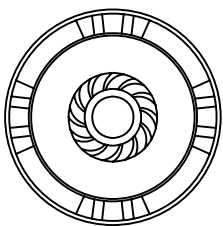
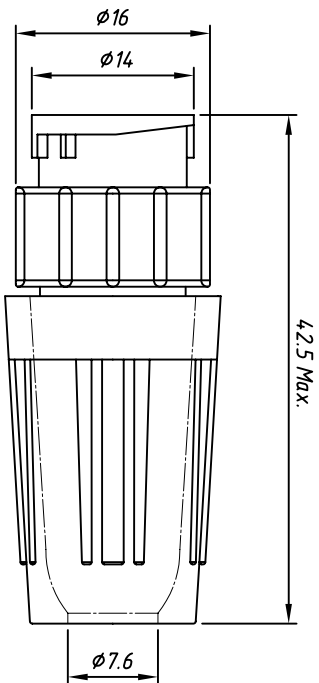
Material: Brass, Gold Plated/Silver plated
Contact: PA66+30%GF
Connector Body: PA66+30%GF
Insert Body: PA66+30%GF
Sealing: O-ring
Electrical & Mechanical data
Waterproof Rating: IP67, Mated
Current Rating: 10A
Voltage Rating: 200V
Insulation resistance: 2000 MΩ Min.
Withstanding Voltage: 1500V AC
Cable OD: Ø3.5~6.5mm
Orientation: Straight
Mating Life: 500 cycles Min.
Temperature Range: -40°C ~ +105°C

GENERAL TOLERANCE	ANGLE TOLERANCE	PROJECTION		Description:
		UNITS	SHEET SIZE	
X: ±0.60 .X: ±0.38 .XX: ±0.25	X: ±5° .X: ±3° .XX: ±2°	mm	A4	IP67 Circular Connectors, Quick lock, Female Plug KLS15-249-xF1
Draw by: Date		KLS P/N:		
Check by: Date		SCALE		
SCALE		SHEET		OF

KLS ELECTRONIC CO., LTD.



Front view



Back view

Order information

L-KLS15-249-XX T1

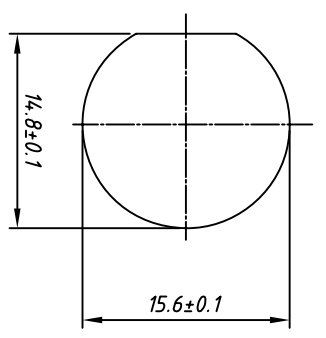
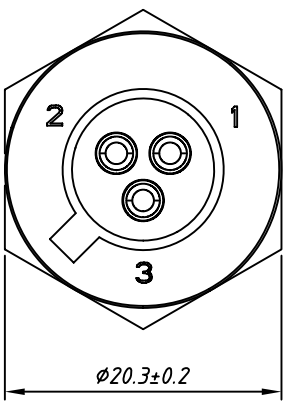
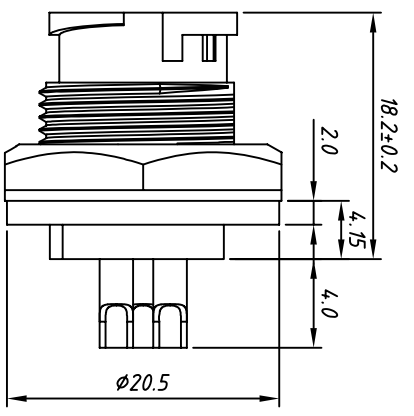
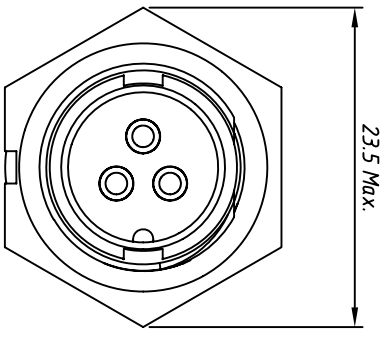
L: RoHS
 XX: Number of Contacts
 T1: Male Type, Quick Lock

No.	Solder inter diamte	Contacts resistance Max.
2	Ø1.6mm	6 mΩ
3	Ø1.6mm	6 mΩ
4	Ø1.0mm	3 mΩ
5	Ø1.0mm	3 mΩ
6	Ø1.0mm	3 mΩ
7	Ø1.0mm	3 mΩ
8	Ø1.0mm	3 mΩ
10	Ø1.0mm	3 mΩ
12	Ø1.0mm	3 mΩ

Material: Brass, Gold Plated/Silver plated
Contact: PA66+30%GF
Connector Body: PA66+30%GF
Insert Body: PA66+30%GF
Sealing: O-ring
Electrical & Mechanical data
Waterproof Rating: IP67, Mated
Current Rating: 10A
Voltage Rating: 200V
Insulation resistance: 2000 MΩ Min.
Withstanding Voltage: 1500V AC
Cable OD: Ø3.5~6.5mm
Orientation: Straight
Mating Life: 500 cycles Min.
Temperature Range: -40°C ~ +105°C

GENERAL TOLERANCE	ANGLE TOLERANCE	PROJECTION		Description:
		UNITS	SHEET SIZE	
X: ±0.60 .X: ±0.38 .XX: ±0.25	X: ±5° .X: ±3° .XX: ±2°	mm	A4	IP67 Circular Connectors, Quick lock, Male Plug KLS15-249-xT1
Draw by: Date				
Check by: Date				
SCALE	SHEET	OF		

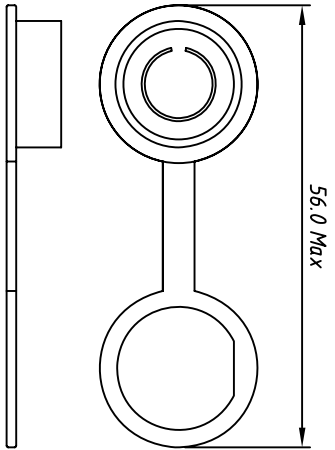
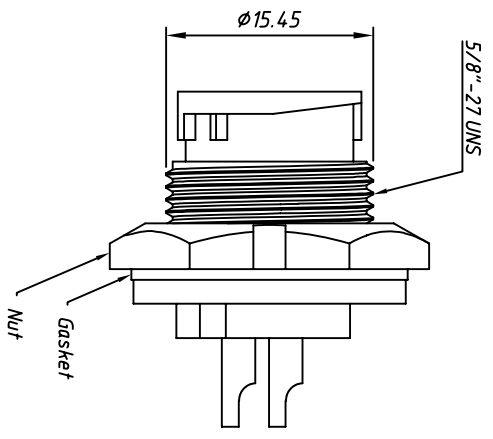
KLS ELECTRONIC CO., LTD.



Panel Cut-out

Order information
 L-KLS15-249-XX M1

L: Rohs
 XX: Number of Contacts
 M1: Male Type, Quick Lock



Protection cap for Male panel mount connector

No.	Solder inter diamte	Contacts resistance Max.
2	Ø1.6mm	6 mΩ
3	Ø1.6mm	6 mΩ
4	Ø1.0mm	3 mΩ
5	Ø1.0mm	3 mΩ
6	Ø1.0mm	3 mΩ
7	Ø1.0mm	3 mΩ
8	Ø1.0mm	3 mΩ
10	Ø1.0mm	3 mΩ
12	Ø1.0mm	3 mΩ

Material: Brass, Gold Plated/Silver plated

Contact: PA66+30%GF

Connector Body: PA66+30%GF

Insert Body: PA66+30%GF

Electrical & Mechanical data

Waterproof Rating: IP67, Mated

Current Rating: 10A

Voltage Rating: 200V

Insulation resistance: 2000 MΩ Min.

Withstanding Voltage: 1500V AC

Orientation: Panel, Solder

Mating Life: 500 cycles Min.

Temperature Range: -40°C ~ +105°C

GENERAL TOLERANCE	ANGLE TOLERANCE	PROJECTION		Description:
		UNITS	mm	
X: ±0.60	X: ±5°	UNITS	mm	IP67 Circular Connectors, Quick lock; Male Jack, for Panel, Solder
.X: ±0.38	.X: ±3°	SHEET SIZE	A4	
.XX: ±0.25	.XX: ±2°	KLS P/N:		KLS15-249-XM1

2P	3P	4P	5P	6P	7P	8P	10P	12P

Draw by:	Date:
Check by:	Date:
SCALE	SHEET
	OF

KLS ELECTRONIC CO., LTD.